

SHD15

STANDARD FEATURES

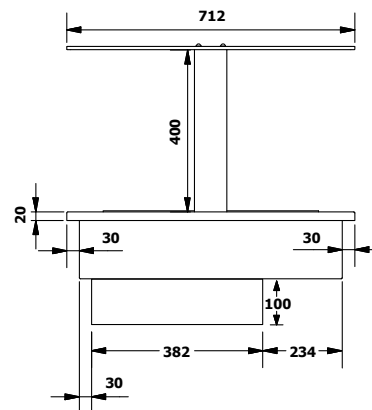
- › Tempered glass deck
- › **DoubleJacket** halogen heat lamps mounted in designer overhead lighting system
- › Thermostatically controlled to operate at a temperature up to 110°C
- › Elegant stainless steel gantry
- › Planar glass canopy as standard

For Sneeze-Guard and glass canopy options refer to page 58

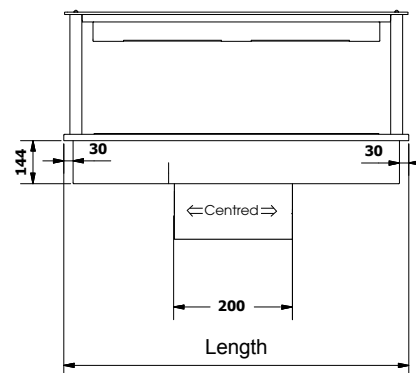
For Factory Options refer to page 60

For Cabinet Accessories refer to page 72

SIDE VIEW



REAR VIEW



SOMERSET: HOT DECK

Displaying hot food with a difference this hot deck servery cabinet provides the style and elegance it deserves.

up to 110°C operating temperature

Model	SHD12	SHD15	SHD18	SHD21
Length	1155mm	1480mm	1805mm	2130mm
Depth	712mm	712mm	712mm	712mm
Canopy height above counter	430mm	430mm	430mm	430mm
Hot Plate (L x D)	989 x 546mm	1314 x 546mm	1639 x 546mm	1964 x 546mm
Power Connection	10A Plug	15A Plug	15A Plug	20A Plug