



# REGENT

1095mm height

**SlimLED**  
under-shelf  
LED strip  
lighting



**GlassMax**  
canopy with  
**Mitrex** frame  
and glass  
top

Height  
adjustable  
and 'tiltable'  
shelving:  
4 display  
levels

Flush finished  
base

Swivel and  
lockable  
castors



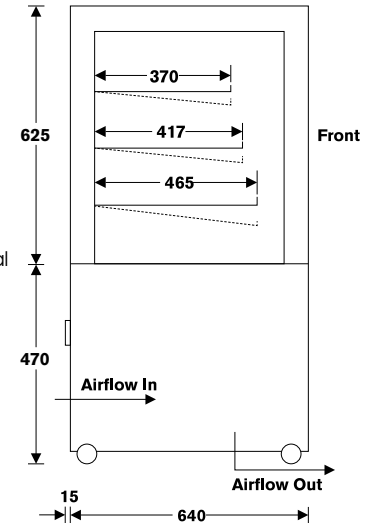
RC12

**STANDARD FEATURES**

- › **GlassMax** minimalist canopy (more glass/less frame) that maximises the visibility of displayed food from all angles
- › Full glass top for top down viewing of displayed food
- › **Mitrex** frame that is flush welded with mitred joins to give both robustness and a designer finish
- › Four food display levels: three shelves plus bottom trays; offering more extensive display area than comparable cabinets
- › Chrome wire shelving system that is height adjustable in 25mm increments and interchangeable between horizontal and tilted positions
- › **CrumbCatch** feature in bottom trays that collects falling crumbs and food
- › High quality European refrigeration components
- › Designed to operate at 3 – 5°C in room environments up to 32°C
- › Fan forced air flow for even temperature distribution
- › **ClearView** front and top glass for condensation control
- › Refrigeration optimised to provide a high humidity environment that maintains food quality for longer
- › **DuraCoat** system providing a protective coating over the refrigeration coil to prevent food acid corrosion
- › **SureVap** self-evaporating system for condensate—no drain required
- › Condenser air vented through base—no unsightly vents
- › **SlimLED** under-shelf LED strip lighting with 12V safety
- › Rear sliding, double-glazed doors on friction-free, low wear tracks (doors removable for cleaning)
- › Mounted on swivel and lockable castors allowing easy movement of cabinet

**For Factory Options refer to page 60**

**For Cabinet Accessories refer to page 72**

**SIDE VIEW**

# REGENT: CHILLED

This elegant serve-over cabinet is designed to provide maximum interaction between staff and customers. With its elegant glass top the Regent cabinet displays food at its finest.

**4°C operating temperature**

Model	RC6	RC9	RC12	RC15	RC18	RC24
Length	600mm	900mm	1200mm	1530mm	1770mm	2370mm
Depth*	640mm	640mm	640mm	640mm	640mm	640mm
Height	1095mm	1095mm	1095mm	1095mm	1095mm	1095mm
Available Display Area	0.9m <sup>2</sup>	1.4m <sup>2</sup>	1.9m <sup>2</sup>	2.5m <sup>2</sup>	2.8m <sup>2</sup>	3.8m <sup>2</sup>
Power Connection	10A Plug	10A Plug	10A Plug	10A Plug	10A Plug	10A Plug

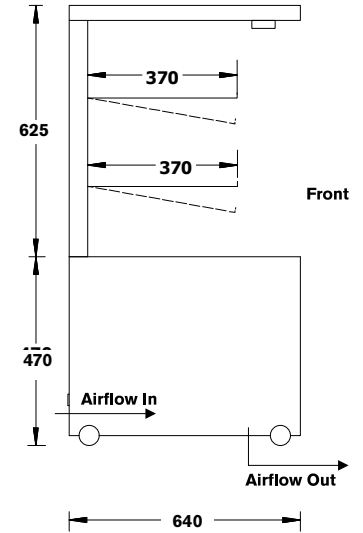
\*Add extra 15mm for protruding control panel and switches



RCO9

**STANDARD FEATURES**

- › Open front cabinet for “grab and go”
- › Stainless steel top
- › Three food display levels: two shelves plus base
- › Chrome wire shelving system that is height adjustable in 25mm increments and interchangeable between horizontal and tilted positions
- › High quality European refrigeration components
- › Designed to operate at 3 – 5°C in room environments up to 22°C with no air movement across open face
- › **DuraCoat** system providing a protective coating over the refrigeration coil to prevent food acid corrosion
- › **SureVap** self-evaporating system for condensate—no drain required
- › Condenser air vented through base
- › **SlimLED** under-shelf LED strip lighting with 12V safety
- › Mounted on lockable castors allowing easy movement of cabinet

**SIDE VIEW**

**For Factory Options refer to page 60**

**For Cabinet Accessories refer to page 72**

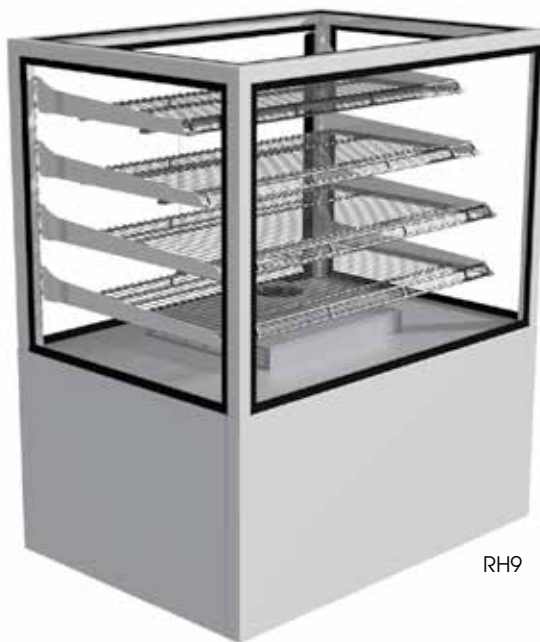
# REGENT: CHILLED IMPULSE

A stylish open fronted cabinet that allow for excellent serve-over and simply invites the customer in.

**4°C operating temperature**

Model	RCO9	RCO12	RCO15
Length	900mm	1200mm	1530mm
Depth*	640mm	640mm	640mm
Height	1095mm	1095mm	1095mm
Available Display Area	1.1m <sup>2</sup>	1.5m <sup>2</sup>	1.94m <sup>2</sup>
Power Connection	10A Plug	10A Plug	10A Plug

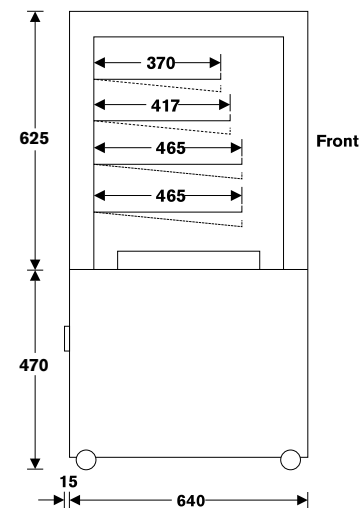
*\*Add extra 15mm for protruding control panel and switches*



RH9

**STANDARD FEATURES**

- › **GlassMax** minimalist canopy (more glass/less frame) that maximises the visibility of displayed food from all angles
- › Full glass top for top down viewing of displayed food
- › **Mitrex** frame that is flush welded with mitred joints to give both robustness and a designer finish
- › Four shelf levels; offering more extensive display area than comparable cabinets
- › Chrome wire shelving system that is height adjustable in 25mm increments and interchangeable between horizontal and tilted positions
- › High quality European heating and control components
- › Thermostatically controlled to operate at a temperature set between 30 – 95°C
- › Fan forced air flow for even heat distribution
- › Rapid response element for better temperature control
- › **SlimLED** under-shelf LED strip lighting with 12V safety
- › Rear sliding doors on friction-free, low wear tracks (doors removable for cleaning)
- › Mounted on swivel and lockable castors allowing easy movement of cabinet

**SIDE VIEW**

**For Factory Options refer to page 60**

**For Cabinet Accessories refer to page 72**

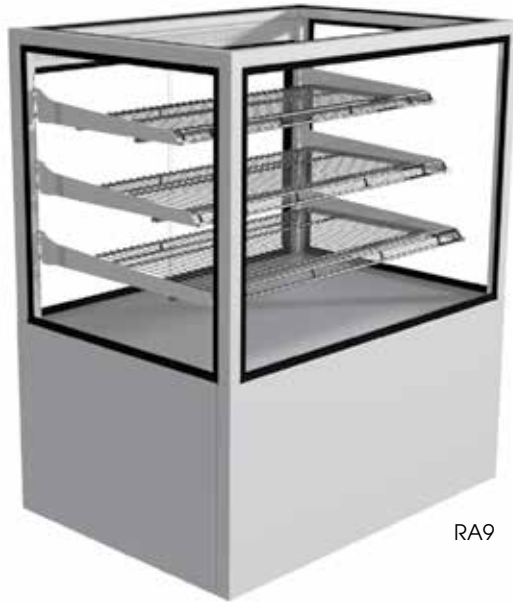
# REGENT: HEATED

A stylish serve-over cabinet that shows hot food in the best possible light. The moderate height and top glass of the Regent cabinets allow food to be viewed from all angles.

**up to 95°C operating temperature.**

Model	RH6	RH9	RH12	RH15
Length	600mm	900mm	1200mm	1530mm
Depth*	640mm	640mm	640mm	640mm
Height	1095mm	1095mm	1095mm	1095mm
Available Display Area	0.9m <sup>2</sup>	2.1m <sup>2</sup>	1.9m <sup>2</sup>	2.5m <sup>2</sup>
Power Connection	10A Plug	10A Plug	10A Plug	20A Plug

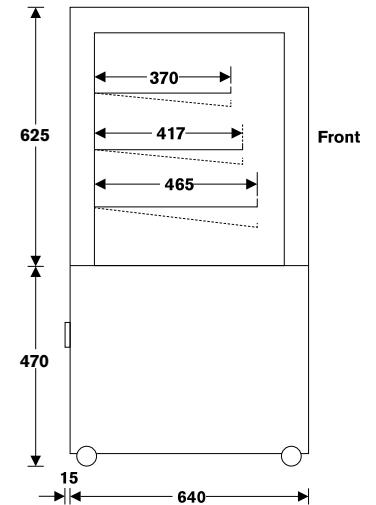
\*Add extra 15mm for protruding control panel and switches



RA9

**STANDARD FEATURES**

- › **GlassMax** minimalist canopy (more glass/less frame) that maximises the visibility of displayed food from all angles
- › Full glass top for top down viewing of displayed food
- › **Mitrex** frame that is flush welded with mitred joints to give both robustness and a designer finish
- › Four food display levels: three shelves plus base; offering more extensive display area than comparable cabinets
- › Chrome wire shelving system that is height adjustable in 25mm increments and interchangeable between horizontal and tilted positions
- › **SlimLED** under-shelf LED strip lighting with 12V safety
- › Top venting to allow heat dissipation
- › Rear sliding doors on friction-free, low wear tracks (doors removable for cleaning)
- › Mounted on swivel and lockable castors allowing easy movement of cabinet

**SIDE VIEW**

**For Factory Options refer to page 60**

**For Cabinet Accessories refer to page 72**

# REGENT: AMBIENT

A serve-over ambient cabinet of stylish and minimalist design. Incorporating an elegant glass top, food is displayed at its best.

Model	RA6	RA9	RA12	RA15	RA18	RA24
Length	600mm	900mm	1200mm	1530mm	1770mm	2370mm
Depth*	640mm	640mm	640mm	640mm	640mm	640mm
Height	1095mm	1095mm	1095mm	1095mm	1095mm	1095mm
Available Display Area	0.9m <sup>2</sup>	1.4m <sup>2</sup>	1.9m <sup>2</sup>	2.5m <sup>2</sup>	2.8m <sup>2</sup>	3.8m <sup>2</sup>
Power Connection	10A Plug	10A Plug	10A Plug	10A Plug	10A Plug	10A Plug

\*Add extra 15mm for protruding control panel and switches