



CORNWALL

830mm height

FrameFree
canopy



Height
adjustable
and 'tiltable'
shelving:
4 display
levels

Flush finished base

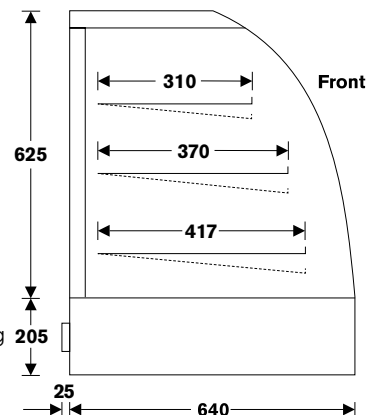
MiniTek compact
refrigeration in base



CCC12

STANDARD FEATURES

- › **FrameFree** canopy that maximises fully the visibility of displayed food from all sides
- › **MiniTek** compact refrigeration technology built into base of cabinet. No bench cut-outs or condenser installation required and cabinet is freely moveable across benches, between benches and to new locations
- › Four food display levels: three shelves plus bottom trays; offering more extensive display area than comparable cabinets
- › Chrome wire shelving system that is height adjustable in 25mm increments and interchangeable between horizontal and tilted positions
- › **CrumbCatch** feature in bottom trays that collects falling crumbs and food
- › High quality European and Japanese refrigeration components
- › Designed to operate at 3 – 5°C in room environments up to **28°C**
- › Fan forced air flow for even temperature distribution
- › **ClearView** front glass for condensation control
- › Refrigeration optimised to provide a high humidity environment that maintains food quality for longer
- › **DuraCoat** system providing a protective coating over the refrigeration coil to prevent food acid corrosion
- › **SureVap** self-evaporating system for condensate—no drain required
- › **SlimLED** under-shelf LED strip lighting with 12V safety
- › Rear sliding, double-glazed doors on friction-free, low wear tracks (doors removable for cleaning)

SIDE VIEW

minitek
REFRIGERATION TECHNOLOGY

CORNWALL: CHILLED COMPACT

This innovative and unique cabinet incorporates Festive's leading MiniTek technology to deliver the most advanced and flexible counter top on the market—simply plug in and operate.

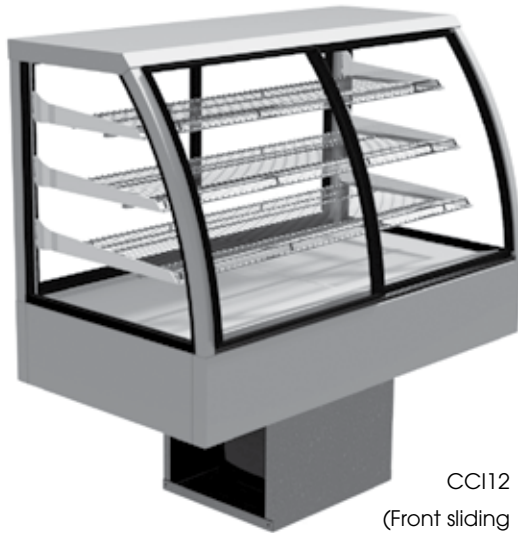
4°C operating temperature

For Factory Options refer to page 60

For Cabinet Accessories refer to page 72

| Model | CCC9 | CCC12 | CCC15 | CCC18 | CCC24 |
|------------------------|--------------------|--------------------|--------------------|--------------------|-------------------|
| Length | 900mm | 1200mm | 1530mm | 1770mm | 2370mm |
| Depth* | 640mm | 640mm | 640mm | 640mm | 640mm |
| Height | 830mm | 830mm | 830mm | 830mm | 830mm |
| Available Display Area | 1.26m ² | 1.73m ² | 2.24m ² | 2.54m ² | 3.5m ² |
| Power Connection | 10A Plug | 10A Plug | 10A Plug | 10A Plug | 10A Plug |

*Add extra 25mm for protruding control panel, switches and cable exit



CCI12
(Front sliding door option)

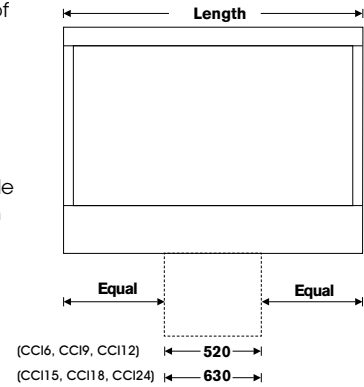
STANDARD FEATURES

- › **FrameFree** canopy that maximises fully the visibility of displayed food from all sides
- › Refrigeration unit provided as condenser in cradle
- › Four food display levels: three shelves plus bottom trays; offering more extensive display area than comparable cabinets
- › Chrome wire shelving system that is height adjustable in 25mm increments and interchangeable between horizontal and tilted positions
- › **CrumbCatch** feature in bottom trays that collects falling crumbs and food
- › High quality European and Japanese refrigeration components
- › Refrigeration unit provided as condenser in cradle
- › Designed to operate at 3 – 5°C in room environments up to 32°C
- › Fan forced air flow for even temperature distribution
- › **ClearView** front glass for condensation control
- › Refrigeration optimised to provide a high humidity environment that maintains food quality for longer
- › **DuraCoat** system providing a protective coating over the refrigeration coil to prevent food acid corrosion
- › **SureVap** self-evaporating system for condensate—no drain required
- › **SlimLED** under-shelf LED strip lighting with 12V safety
- › Rear sliding, double-glazed doors on friction-free, low wear tracks (doors removable for cleaning)

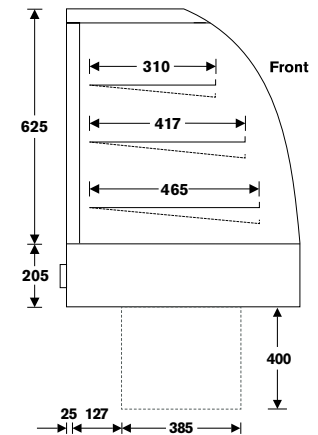
For Factory Options refer to page 60

For Cabinet Accessories refer to page 72

REAR VIEW



SIDE VIEW



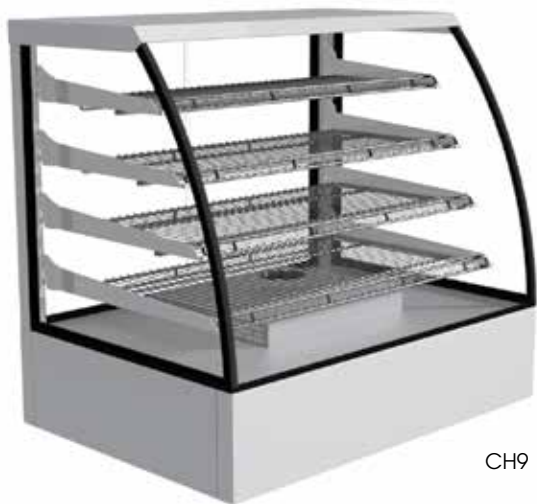
CORNWALL: CHILLED INTEGRAL

An elegant counter-top cabinet designed to maximise display area, show food with style, and maintain food at the highest quality.

4°C operating temperature

| Model | CCI6 | CCI9 | CCI12 | CCI15 | CCI18 | CCI24 |
|------------------------|--------------------|--------------------|--------------------|-------------------|-------------------|-------------------|
| Length | 600mm | 900mm | 1200mm | 1530mm | 1770mm | 2370mm |
| Depth* | 640mm | 640mm | 640mm | 640mm | 640mm | 640mm |
| Height | 830mm | 830mm | 830mm | 830mm | 830mm | 830mm |
| Available Display Area | 0.84m ² | 1.34m ² | 1.83m ² | 2.4m ² | 2.7m ² | 3.7m ² |
| Power Connection | 10A Plug | 10A Plug | 10A Plug | 10A Plug | 10A Plug | 10A Plug |

*Add extra 30mm for protruding control panel and switches

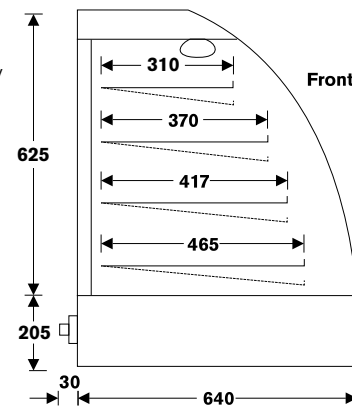


CH9

STANDARD FEATURES

- › **FrameFree** canopy that maximises fully the visibility of displayed food from all sides
- › **GoldenGlow** lighting system, incorporating long life halogen heat lamps, that gives pastries a golden glow
- › Four shelf display levels; offering more extensive display area than comparable cabinets
- › Chrome wire shelving system that is height adjustable in 25mm increments and interchangeable between horizontal and tilted positions
- › High quality European heating and control components
- › Thermostatically controlled to operate at a temperature up to 95°C
- › Fan forced air flow for even heat distribution
- › Rapid response element for better temperature control
- › Rear sliding doors on friction-free, low wear tracks (doors removable for cleaning)

SIDE VIEW



For Factory Options refer to page 60

For Cabinet Accessories refer to page 72

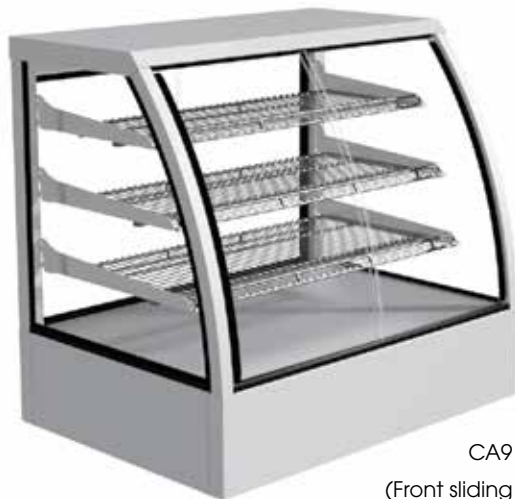
CORNWALL: HEATED

A stylish heated counter top cabinet that maximises display area and utilises Festivé’s GoldenGlow lighting system to display heated food at its best.

up to 95°C operating temperature

| Model | CH6 | CH9 | CH12 | CH15 |
|------------------------|-------------------|--------------------|-------------------|--------------------|
| Length | 600mm | 900mm | 1200mm | 1530mm |
| Depth* | 640mm | 640mm | 640mm | 640mm |
| Height | 830mm | 830mm | 830mm | 830mm |
| Available Display Area | 0.8m ² | 1.25m ² | 1.7m ² | 2.23m ² |
| Power Connection | 10A Plug | 10A Plug | 15A Plug | 20A Plug |

**Add extra 30mm for protruding control panel and switches*



CA9
(Front sliding door option)

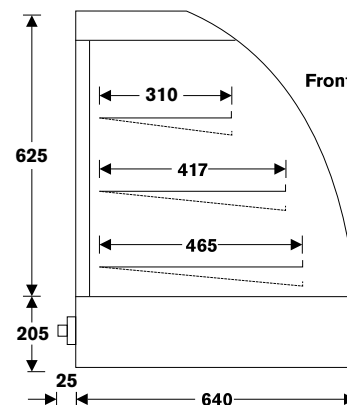
STANDARD FEATURES

- › **FrameFree** canopy that maximises fully the visibility of displayed food from all sides
- › Four food display levels: three shelves plus base; offering more extensive display area than comparable cabinets
- › Chrome wire shelving system that is height adjustable in 25mm increments and interchangeable between horizontal and tilted positions
- › **SlimLED** under-shelf LED strip lighting with 12V safety
- › Top venting to allow heat dissipation
- › Rear sliding doors on friction-free, low wear tracks (doors removable for cleaning)

For Factory Options refer to page 60

For Cabinet Accessories refer to page 72

SIDE VIEW



CORNWALL: AMBIENT

An elegant counter top ambient cabinet that maximises display area, shows off food and provides a consistent look across a line-up of other Cornwall cabinets.

| Model | CA6 | CA9 | CA12 | CA15 | CA18 | CA24 |
|------------------------|--------------------|--------------------|--------------------|-------------------|-------------------|-------------------|
| Length | 600mm | 900mm | 1200mm | 1530mm | 1770mm | 2370mm |
| Depth* | 640mm | 640mm | 640mm | 640mm | 640mm | 640mm |
| Height | 830mm | 830mm | 830mm | 830mm | 830mm | 830mm |
| Available Display Area | 0.84m ² | 1.34m ² | 1.83m ² | 2.4m ² | 2.7m ² | 3.7m ² |
| Power Connection | 10A Plug | 10A Plug | 10A Plug | 10A Plug | 10A Plug | 10A Plug |

*Add extra 25mm for protruding control panel and switches

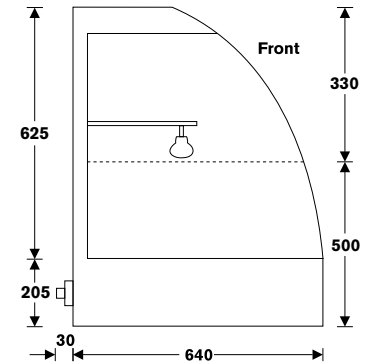


CB14

STANDARD FEATURES

- › **FrameFree** canopy that maximises fully the visibility of displayed food from all sides
- › Open at rear (no doors)
- › Internal chrome wire shelf for holding plates
- › **DoubleJacket** long life halogen heat lamps mounted under shelf
- › Gastronorm pans not supplied with unit
- › Fixed front glass
- › Thermostatically controlled to operate at a temperature up to 95°C
- › Drain with faucet built in
- › Can be operated wet or dry

SIDE VIEW



For Factory Options refer to page 60

For Cabinet Accessories refer to page 72

CORNWALL: BAIN MARIE

An elegant looking Bain Marie cabinet for getting the most out of hot food offerings.

up to 95°C operating temperature

| Model | CB7 | CB11 | CB14 | CB17 | CB20 |
|--------------------------|----------|----------|----------|--------------|--------------|
| Length | 745mm | 1070mm | 1395mm | 1720mm | 2045mm |
| Depth* | 640mm | 640mm | 640mm | 640mm | 640mm |
| Height | 830mm | 830mm | 830mm | 830mm | 830mm |
| No. of Gastro 1/1 Pans** | 2 | 3 | 4 | 5 | 6 |
| Power Connection | 10A Plug | 15A Plug | 20A Plug | Fixed Wiring | Fixed Wiring |

*Add extra 30mm for protruding control panel, switches and cable exit

**Up to 100mm deep. (Gastronorm pans not supplied)