



# DEVON

830mm height

**GlassMax**  
canopy with  
stainless steel  
lid

**GoldenGlow**  
halogen  
lighting

Height  
adjustable  
and 'tiltable'  
shelving:  
4 display  
levels

Flush finished  
base

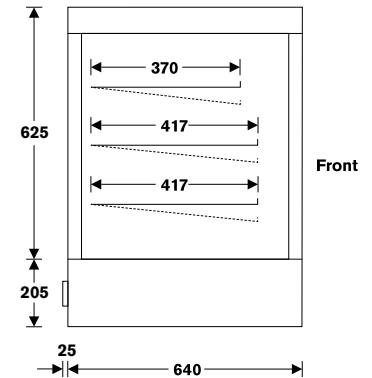




DCC12

**STANDARD FEATURES**

- › **GlassMax** minimalist canopy (more glass/less frame) that maximises the visibility of displayed food from all angles
- › Stainless steel top
- › **MiniTek** compact refrigeration technology built into base of cabinet. No bench cut-outs or condenser installation required and cabinet is freely moveable across benches, between benches and to new locations
- › Four food display levels: three shelves plus bottom trays; offering more extensive display area than comparable cabinets
- › Chrome wire shelving system that is height adjustable in 25mm increments and interchangeable between horizontal and tilted positions
- › **CrumbCatch** feature in bottom trays that collects falling crumbs and food
- › High quality European and Japanese refrigeration components
- › Designed to operate at 3 - 5°C in room environments up to **28°C**
- › Fan forced air flow for even temperature distribution
- › **ClearView** front glass for condensation control
- › Refrigeration optimised to provide a high humidity environment that maintains food quality for longer
- › **DuraCoat** system providing a protective coating over the refrigeration coil to prevent food acid corrosion
- › **SureVap** self-evaporating system for condensate—no drain required
- › **SlimLED** under-shelf LED strip lighting with 12V safety
- › Rear sliding double-glazed doors on friction-free, low wear tracks (doors removable for cleaning)

**For Factory Options refer to page 60****For Cabinet Accessories refer to page 72****SIDE VIEW**

**minitek**  
REFRIGERATION TECHNOLOGY

# DEVON: CHILLED COMPACT

This innovative and unique cabinet incorporates Festivé's leading MiniTek technology to deliver the most advanced and flexible counter top on the market—simply plug in and operate.

**4°C operating temperature**

| Model                  | DCC9               | DCC12              | DCC15             | DCC18             | DCC24             |
|------------------------|--------------------|--------------------|-------------------|-------------------|-------------------|
| Length                 | 900mm              | 1200mm             | 1530mm            | 1770mm            | 2370mm            |
| Depth*                 | 640mm              | 640mm              | 640mm             | 640mm             | 640mm             |
| Height                 | 830mm              | 830mm              | 830mm             | 830mm             | 830mm             |
| Available Display Area | 1.35m <sup>2</sup> | 1.85m <sup>2</sup> | 2.4m <sup>2</sup> | 2.7m <sup>2</sup> | 3.7m <sup>2</sup> |
| Power Connection       | 10A Plug           | 10A Plug           | 10A Plug          | 10A Plug          | 10A Plug          |

\*Add extra 25mm for protruding control panel, switches, and cable exit



DCI12  
(Front sliding door option)

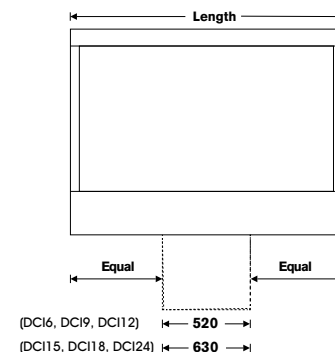
### STANDARD FEATURES

- › **GlassMax** minimalist canopy (more glass/less frame) that maximises the visibility of displayed food from all angles
- › Stainless steel top
- › Refrigeration unit provided as condenser in cradle
- › Four food display levels: three shelves plus bottom trays; offering more extensive display area than comparable cabinets
- › Chrome wire shelving system that is height adjustable in 25mm increments and interchangeable between horizontal and tilted positions
- › **CrumbCatch** feature in bottom trays that collects falling crumbs and food
- › High quality European refrigeration components
- › Designed to operate at 3 – 5°C in room environments up to **32°C**
- › Fan forced air flow for even temperature distribution
- › **ClearView** front glass for condensation control
- › Refrigeration optimised to provide a high humidity environment that maintains food quality for longer
- › **DuraCoat** system providing a protective coating over the refrigeration coil to prevent food acid corrosion
- › **SureVap** self-evaporating system for condensate—no drain required
- › **SlimLED** under-shelf LED strip lighting with 12V safety
- › Rear sliding, double-glazed doors on friction-free, low wear tracks (doors removable for cleaning)

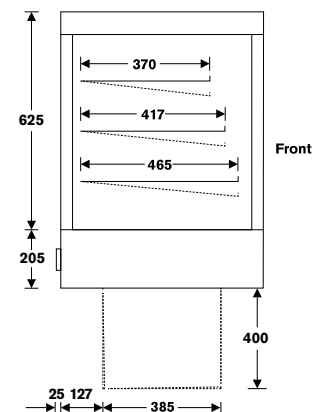
For Factory Options refer to page 60

For Cabinet Accessories refer to page 72

### REAR VIEW



### SIDE VIEW



# DEVON: CHILLED INTEGRAL

An elegant counter top cabinet designed to maximise display area, show food with style, and maintain food at the highest quality.

**4°C operating temperature**

| Model                  | DCI6              | DCI9              | DCI12             | DCI15             | DCI18             | DCI24             |
|------------------------|-------------------|-------------------|-------------------|-------------------|-------------------|-------------------|
| Length                 | 600mm             | 900mm             | 1200mm            | 1530mm            | 1770mm            | 2370mm            |
| Depth*                 | 640mm             | 640mm             | 640mm             | 640mm             | 640mm             | 640mm             |
| Height                 | 830mm             | 830mm             | 830mm             | 830mm             | 830mm             | 830mm             |
| Available Display Area | 0.9m <sup>2</sup> | 1.4m <sup>2</sup> | 1.9m <sup>2</sup> | 2.5m <sup>2</sup> | 2.8m <sup>2</sup> | 3.8m <sup>2</sup> |
| Power Connection       | 10A Plug          | 10A Plug          | 10A Plug          | 10A Plug          | 10A Plug          | 10A Plug          |

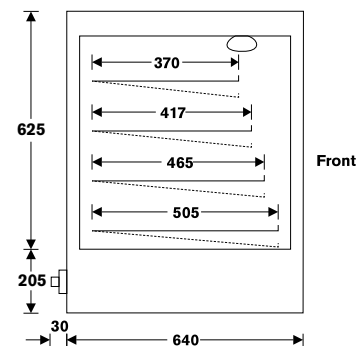
\*Add extra 30mm for protruding control panel, switches and cable exit



DH9

**STANDARD FEATURES**

- › **GlassMax** minimalist canopy (more glass/less frame) that maximises the visibility of displayed food from all angles
- › Stainless steel top
- › **GoldenGlow** lighting system, incorporating long life halogen heat lamps, that gives pastries a golden glow
- › Four shelf display levels; offering more extensive display area than comparable cabinets
- › Chrome wire shelving system that is height adjustable in 25mm increments and interchangeable between horizontal and tilted positions
- › High quality European heating and control components
- › Thermostatically controlled to operate at a temperature up to 95°C
- › Fan forced air flow for even heat distribution
- › Rapid response element for better temperature control
- › Rear sliding doors on friction-free, low wear tracks (doors removable for cleaning)

**SIDE VIEW**

**For Factory Options refer to page 60**

**For Cabinet Accessories refer to page 72**

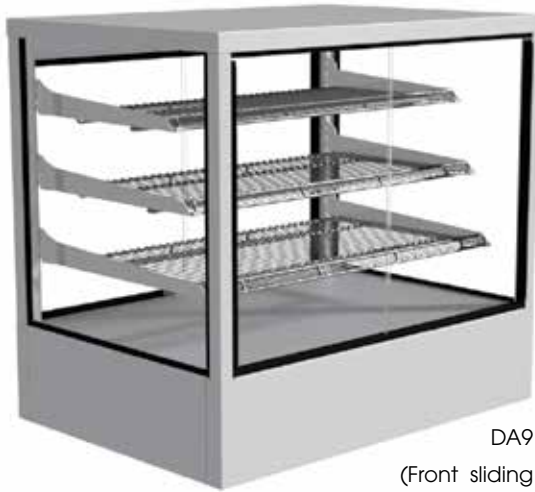
# DEVON: HEATED

A stylish heated counter top cabinet that maximises display area and utilises Festivé's GoldenGlow lighting system to display heated food at its best.

**up to 95°C operating temperature**

| Model                  | DH6               | DH9               | DH12               | DH15               |
|------------------------|-------------------|-------------------|--------------------|--------------------|
| Length                 | 600mm             | 900mm             | 1200mm             | 1530mm             |
| Depth*                 | 640mm             | 640mm             | 640mm              | 640mm              |
| Height                 | 830mm             | 830mm             | 830mm              | 830mm              |
| Available Display Area | 0.9m <sup>2</sup> | 1.4m <sup>2</sup> | 1.66m <sup>2</sup> | 1.94m <sup>2</sup> |
| Power Connection       | 10A Plug          | 10A Plug          | 15A Plug           | 20A Plug           |

\*Add extra 30mm for protruding control panel, switches and cable exit

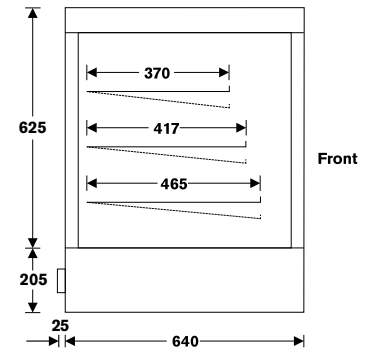


DA9

(Front sliding door option)

**STANDARD FEATURES**

- › **GlassMax** minimalist canopy (more glass/less frame) that maximises the visibility of displayed food from all angles
- › Stainless steel top
- › Four food display levels: three shelves plus base; offering more extensive display area than comparable cabinets
- › Chrome wire shelving system that is height adjustable in 25mm increments and interchangeable between horizontal and tilted positions
- › **SlimLED** under-shelf LED strip lighting with 12V safety
- › Top venting to allow heat dissipation
- › Rear sliding doors on friction-free, low wear tracks (doors removable for cleaning)

**SIDE VIEW**

**For Factory Options refer to page 60**

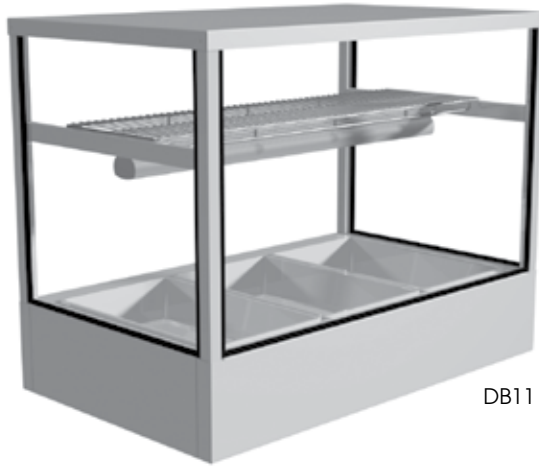
**For Cabinet Accessories refer to page 72**

# DEVON: AMBIENT

An elegant counter-top ambient cabinet that maximises display area, shows off food and provides a consistent look across a line-up of other Devon cabinets.

| Model                  | DA6               | DA9               | DA12              | DA15              | DA18              | DA24              |
|------------------------|-------------------|-------------------|-------------------|-------------------|-------------------|-------------------|
| Length                 | 600mm             | 900mm             | 1200mm            | 1530mm            | 1770mm            | 2370mm            |
| Depth*                 | 640mm             | 640mm             | 640mm             | 640mm             | 640mm             | 640mm             |
| Height                 | 830mm             | 830mm             | 830mm             | 830mm             | 830mm             | 830mm             |
| Available Display Area | 0.9m <sup>2</sup> | 1.4m <sup>2</sup> | 1.9m <sup>2</sup> | 2.5m <sup>2</sup> | 2.8m <sup>2</sup> | 3.8m <sup>2</sup> |
| Power Connection       | 10A Plug          | 10A Plug          | 10A Plug          | 10A Plug          | 10A Plug          | 10A Plug          |

\*Add extra 25mm for protruding control panel, switches and cable exit



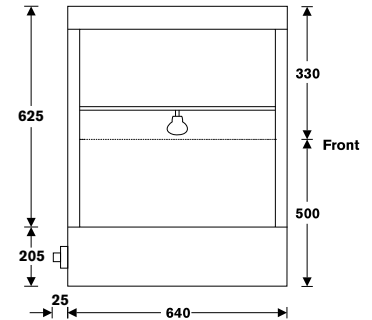
DB11

**STANDARD FEATURES**

- › **GlassMax** minimalist canopy (more glass/less frame) that maximises the visibility of displayed food from all angles
- › Stainless steel top
- › Open at rear (no doors)
- › Internal chrome wire shelf for holding plates
- › **DoubleJacket** long life halogen heat lamps mounted under shelf
- › Gastronorm pans not supplied with unit
- › Fixed front glass
- › Thermostatically controlled to operate at a temperature up to 95°C
- › Drain with faucet built in
- › Can be operated wet or dry

**For Factory Options refer to page 60**

**For Cabinet Accessories refer to page 72**

**SIDE VIEW**

# DEVON: BAIN MARIE

An elegant looking Bain Marie cabinet that enhances the presentation of food. Looks great in any environment.

**up to 95°C operating temperature**

| Model                    | DB7      | DB11     | DB14     | DB17         | DB20         |
|--------------------------|----------|----------|----------|--------------|--------------|
| Length                   | 745mm    | 1070mm   | 1395mm   | 1720mm       | 2045mm       |
| Depth*                   | 640mm    | 640mm    | 640mm    | 640mm        | 640mm        |
| Height                   | 830mm    | 830mm    | 830mm    | 830mm        | 830mm        |
| No. of Gastro 1/1 Pans** | 2        | 3        | 4        | 5            | 6            |
| Power Connection         | 10A Plug | 15A Plug | 20A Plug | Fixed Wiring | Fixed Wiring |

\*Add extra 30mm for protruding control panel, switches and cable exit

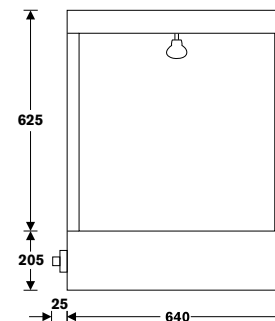
\*\*Up to 100mm deep. (Gastronorm pans not supplied)



DHD14

**STANDARD FEATURES**

- › Minimalist canopy (more glass/less frame) that maximises the visibility of displayed food from all angles
- › Stainless steel top
- › Tempered glass deck
- › Open at rear (no doors)
- › **DoubleJacket** long life halogen heat lamps mounted under top
- › Fixed front glass
- › Thermostatically controlled to operate at a temperature up to 110°C

**SIDE VIEW****For Factory Options refer to page 60****For Cabinet Accessories refer to page 72**

# DEVON: HOT DECK

For gourmet food presentation this hot deck cabinet provides the class the food deserves.

**up to 110°C operating temperature**

| Model             | DHD7        | DHD11       | DHD14        | DHD17        | DHD20        |
|-------------------|-------------|-------------|--------------|--------------|--------------|
| Length            | 745mm       | 1070mm      | 1395mm       | 1720mm       | 2045mm       |
| Depth*            | 640mm       | 640mm       | 640mm        | 640mm        | 640mm        |
| Height            | 830mm       | 830mm       | 830mm        | 830mm        | 830mm        |
| Hot Plate (L x D) | 623 x 506mm | 948 x 506mm | 1273 x 506mm | 1598 x 506mm | 1923 x 506mm |
| Power Connection  | 10A Plug    | 10A Plug    | 15A Plug     | 15A Plug     | 20A Plug     |

\*Add extra 30mm for protruding control panel, switches and cable exit