



# CORNWALL

830mm height

**FrameFree**  
canopy



Height  
adjustable  
and 'tiltable'  
shelving:  
3 display  
levels

Flush finished base

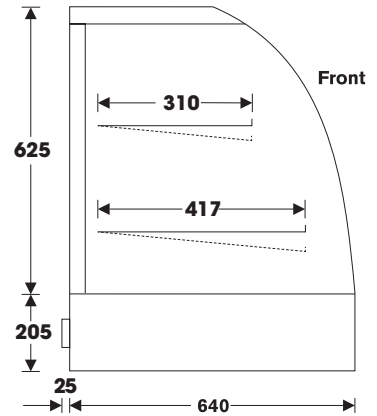
**MiniTek** compact  
refrigeration in base



CCC12

**STANDARD FEATURES**

- › **FrameFree** canopy that maximises fully the visibility of displayed food from all sides
- › **MiniTek** compact refrigeration technology built into base of cabinet. No bench cut-outs or condenser installation required and cabinet is freely moveable across benches, between benches and to new locations
- › Three food display levels: two shelves plus bottom trays
- › Chrome wire shelving system that is height adjustable in 25mm increments and interchangeable between horizontal and tilted positions
- › **CrumbCatch** feature in bottom trays that collects falling crumbs and food
- › High quality European and Japanese refrigeration components
- › Fan forced air flow for even temperature distribution
- › **ClearView** front glass for condensation control
- › Refrigeration optimised to provide a high humidity environment that maintains food quality for longer
- › **DuraCoat** system providing a protective coating over the refrigeration coil to prevent food acid corrosion
- › **SureVap** self-evaporating system for condensate—no drain required
- › **SlimLED** under-shelf LED strip lighting with 12V safety
- › Rear sliding, double-glazed doors on friction-free, low wear tracks (doors removable for cleaning)

**SIDE VIEW**

**minitek**  
REFRIGERATION TECHNOLOGY

# CORNWALL: CHILLED COMPACT

This innovative and unique cabinet incorporates Festivé's leading MiniTek technology to deliver the most advanced and flexible counter top on the market—simply plug in and operate.

**4°C operating temperature**

**Climate Class 3M1 (25°C/60%RH)**

**For Factory Options refer to page 60**

**For Cabinet Accessories refer to page 66**

Model	CCC9	CCC12	CCC15	CCC18	CCC24
Length	900mm	1200mm	1530mm	1770mm	2370mm
Depth*	640mm	640mm	640mm	640mm	640mm
Height	830mm	830mm	830mm	830mm	830mm
Available Display Area	1m <sup>2</sup>	1.37m <sup>2</sup>	1.78m <sup>2</sup>	2.03m <sup>2</sup>	2.77m <sup>2</sup>
Power Connection	10A Plug	10A Plug	10A Plug	10A Plug	10A Plug

*\*Add extra 25mm for protruding control panel, switches, and cable exit*



CCI12  
(Front sliding door option)

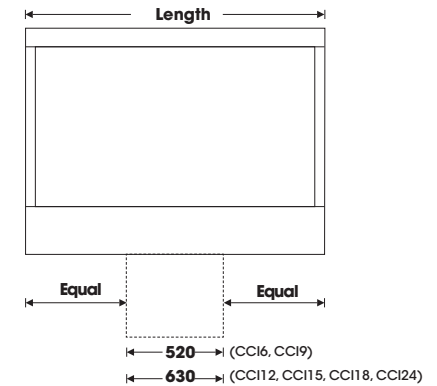
### STANDARD FEATURES

- › **FrameFree** canopy that maximises fully the visibility of displayed food from all sides
- › Refrigeration unit provided as condenser in cradle
- › Three food display levels: two shelves plus bottom trays
- › Chrome wire shelving system that is height adjustable in 25mm increments and interchangeable between horizontal and tilted positions
- › **CrumbCatch** feature in bottom trays that collects falling crumbs and food
- › High quality European and Japanese refrigeration components
- › Refrigeration unit provided as condenser in cradle
- › Fan forced air flow for even temperature distribution
- › **ClearView** front glass for condensation control
- › Refrigeration optimised to provide a high humidity environment that maintains food quality for longer
- › **DuraCoat** system providing a protective coating over the refrigeration coil to prevent food acid corrosion
- › **SureVap** self-evaporating system for condensate—no drain required
- › **SlimLED** under-shelf LED strip lighting with 12V safety
- › Rear sliding, double-glazed doors on friction-free, low wear tracks (doors removable for cleaning)

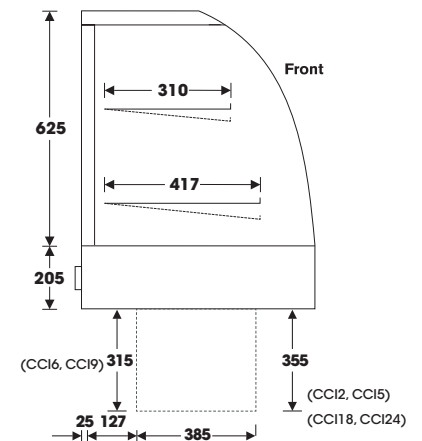
For Factory Options refer to page 60

For Cabinet Accessories refer to page 66

### REAR VIEW



### SIDE VIEW



# CORNWALL: CHILLED INTEGRAL

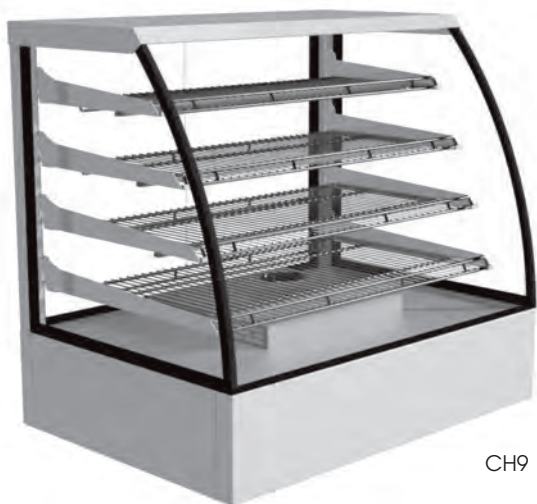
An elegant counter-top cabinet designed to maximise display area, show food with style, and maintain food at the highest quality.

**4°C operating temperature**

**Climate class 3M1 (25°C/60%RH)**

Model	CCI6	CCI9	CCI12	CCI15	CCI18	CCI24
Length	600mm	900mm	1200mm	1530mm	1770mm	2370mm
Depth*	640mm	640mm	640mm	640mm	640mm	640mm
Height	830mm	830mm	830mm	830mm	830mm	830mm
Available Display Area	0.63m <sup>2</sup>	1m <sup>2</sup>	1.37m <sup>2</sup>	1.78m <sup>2</sup>	2.03m <sup>2</sup>	2.77m <sup>2</sup>
Power Connection	10A Plug	10A Plug	10A Plug	10A Plug	10A Plug	10A Plug

*\*Add extra 30mm for protruding control panel and switches*

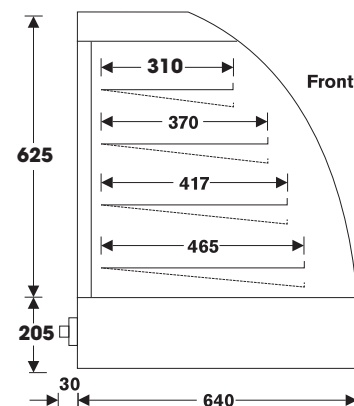


CH9

**STANDARD FEATURES**

- › **FrameFree** canopy that maximises fully the visibility of displayed food from all sides
- › **SlimLED** undershelf LED strip lighting with 12V safety
- › Four shelf display levels; offering more extensive display area than comparable cabinets
- › Chrome wire shelving system that is height adjustable in 25mm increments and interchangeable between horizontal and tilted positions
- › High quality European heating and control components
- › Thermostatically controlled to operate at a temperature up to 95°C
- › Fan forced air flow for even heat distribution
- › Rapid response element for better temperature control
- › Rear sliding doors on friction-free, low wear tracks (doors removable for cleaning)

**SIDE VIEW**



**For Factory Options refer to page 60**

**For Cabinet Accessories refer to page 66**

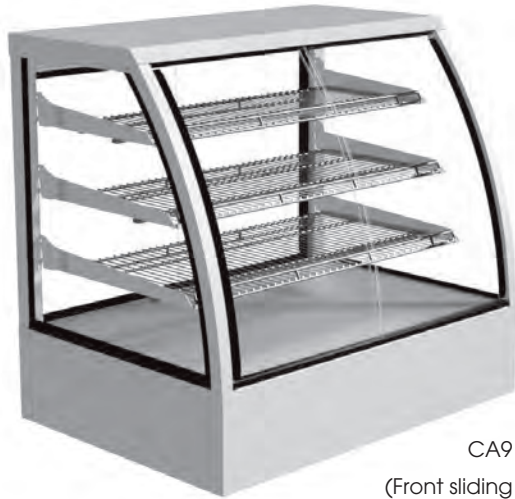
# CORNWALL: HEATED

A stylish heated counter top cabinet that maximises display area and displays heated food at its best.

**Up to 95°C operating temperature**

Model	CH6	CH9	CH12	CH15
Length	600mm	900mm	1200mm	1530mm
Depth*	640mm	640mm	640mm	640mm
Height	830mm	830mm	830mm	830mm
Available Display Area	0.8m <sup>2</sup>	1.25m <sup>2</sup>	1.7m <sup>2</sup>	2.23m <sup>2</sup>
Power Connection	10A Plug	10A Plug	10A Plug	20A Plug

*\*Add extra 30mm for protruding control panel and switches*



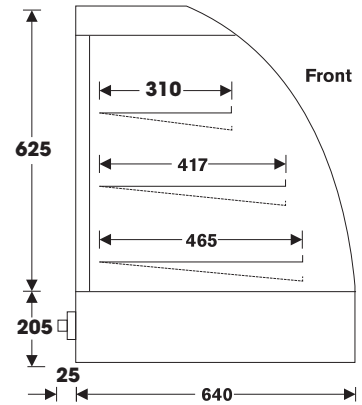
CA9  
(Front sliding door option)

STANDARD FEATURES

- › **FrameFree** canopy that maximises fully the visibility of displayed food from all sides
- › Four food display levels: three shelves plus base; offering more extensive display area than comparable cabinets
- › Chrome wire shelving system that is height adjustable in 25mm increments and interchangeable between horizontal and tilted positions
- › **SlimLED** under-shelf LED strip lighting with 12V safety
- › Top venting to allow heat dissipation
- › Rear sliding doors on friction-free, low wear tracks (doors removable for cleaning)

For Factory Options refer to page 60  
For Cabinet Accessories refer to page 66

SIDE VIEW

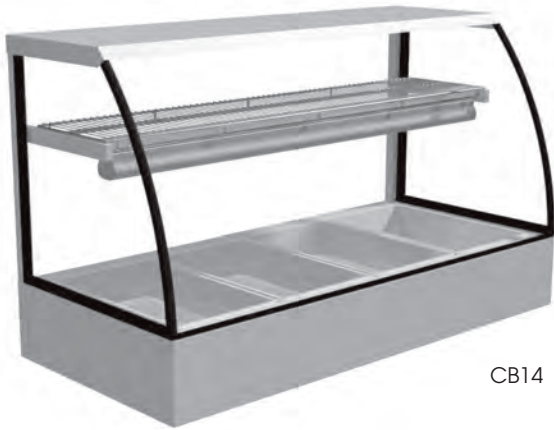


# CORNWALL: AMBIENT

An elegant counter top ambient cabinet that maximises display area, shows off food and provides a consistent look across a line-up of other Cornwall cabinets.

Model	CA6	CA9	CA12	CA15	CA18	CA24
Length	600mm	900mm	1200mm	1530mm	1770mm	2370mm
Depth*	640mm	640mm	640mm	640mm	640mm	640mm
Height	830mm	830mm	830mm	830mm	830mm	830mm
Available Display Area	0.8m <sup>2</sup>	1.34m <sup>2</sup>	1.83m <sup>2</sup>	2.4m <sup>2</sup>	2.7m <sup>2</sup>	3.7m <sup>2</sup>
Power Connection	10A Plug	10A Plug	10A Plug	10A Plug	10A Plug	10A Plug

*\*Add extra 25mm for protruding control panel and switches*

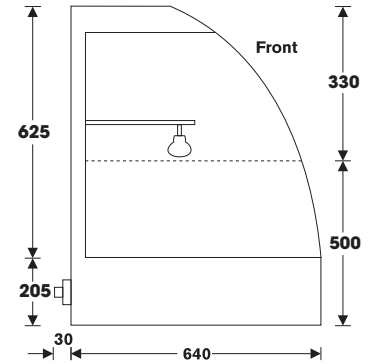


CB14

**STANDARD FEATURES**

- › **FrameFree** canopy that maximises fully the visibility of displayed food from all sides
- › Open at rear (no doors)
- › Internal chrome wire shelf for holding plates
- › **DoubleJacket** long life halogen heat lamps mounted under shelf
- › Gastronorm pans not supplied with unit
- › Fixed front glass
- › Thermostatically controlled to operate at a temperature up to 95°C
- › Drain with faucet built in
- › Can be operated wet or dry

**SIDE VIEW**



For Factory Options refer to page 60

For Cabinet Accessories refer to page 66

# CORNWALL: BAIN MARIE

An elegant looking Bain Marie cabinet for getting the most out of hot food offerings.

*Up to 95°C operating temperature*

Model	CB7	CB11	CB14	CB17	CB20
Length	745mm	1070mm	1395mm	1720mm	2045mm
Depth*	640mm	640mm	640mm	640mm	640mm
Height	830mm	830mm	830mm	830mm	830mm
No. of Gastro 1/1 Pans**	2	3	4	5	6
Power Connection	10A Plug	15A Plug	15A Plug	20A Plug	Fixed Wiring

*\*Add extra 30mm for protruding control panel, switches and cable exit*  
*\*\*Up to 100mm deep. (Gastronorm pans not supplied)*