



DEVON

830mm height

GlassMax
canopy with
stainless steel
lid



Height
adjustable
and 'tiltable'
shelving:
4 display
levels in
heated. 3 in
chilled

Flush finished
base

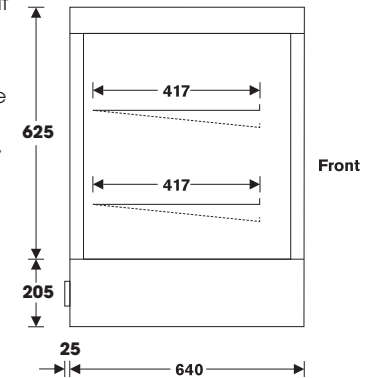


DCC12

STANDARD FEATURES

- › **GlassMax** minimalist canopy (more glass/less frame) that maximises the visibility of displayed food from all angles
- › Stainless steel top
- › **MiniTek** compact refrigeration technology built into base of cabinet. No bench cut-outs or condenser installation required and cabinet is freely moveable across benches, between benches and to new locations
- › Three food display levels: two shelves plus bottom trays
- › Chrome wire shelving system that is height adjustable in 25mm increments and interchangeable between horizontal and tilted positions
- › **CrumbCatch** feature in bottom trays that collects falling crumbs and food
- › High quality European and Japanese refrigeration components
- › Fan forced air flow for even temperature distribution
- › **ClearView** front glass for condensation control
- › Refrigeration optimised to provide a high humidity environment that maintains food quality for longer
- › **DuraCoat** system providing a protective coating over the refrigeration coil to prevent food acid corrosion
- › **SureVap** self-evaporating system for condensate—no drain required
- › **SlimLED** under-shelf LED strip lighting with 12V safety
- › Rear sliding double-glazed doors on friction-free, low wear tracks (doors removable for cleaning)

SIDE VIEW



DEVON: CHILLED COMPACT

This innovative and unique cabinet incorporates Festivé’s leading MiniTek technology to deliver the most advanced and flexible counter top on the market— simply plug in and operate.

4°C operating temperature

Climate class 3M1 (25°C/60%RH)

For Factory Options refer to page 60

For Cabinet Accessories refer to page 66

Model	DCC9	DCC12	DCC15	DCC18	DCC24
Length	900mm	1200mm	1530mm	1770mm	2370mm
Depth*	640mm	640mm	640mm	640mm	640mm
Height	830mm	830mm	830mm	830mm	830mm
Available Display Area	1.05m ²	1.44m ²	1.87m ²	2.12m ²	2.9m ²
Power Connection	10A Plug	10A Plug	10A Plug	10A Plug	10A Plug

*Add extra 25mm for protruding control panel, switches, and cable exit

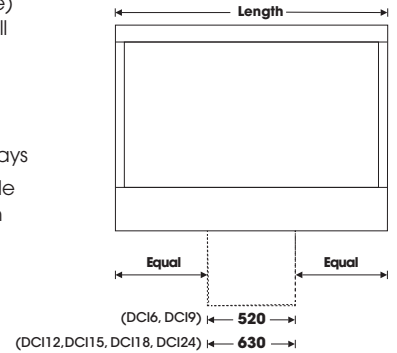


DCI12
(Front sliding door option)

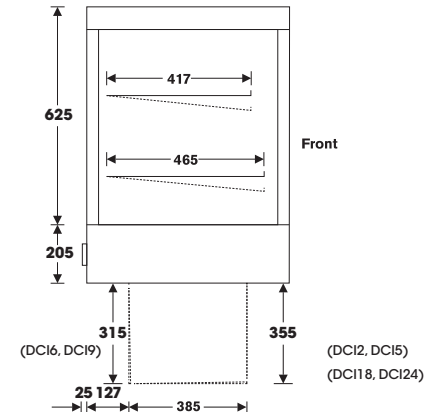
STANDARD FEATURES

- › **GlassMax** minimalist canopy (more glass/less frame) that maximises the visibility of displayed food from all angles
- › Stainless steel top
- › Refrigeration unit provided as condenser in cradle
- › Three food display levels: two shelves plus bottom trays
- › Chrome wire shelving system that is height adjustable in 25mm increments and interchangeable between horizontal and tilted positions
- › **CrumbCatch** feature in bottom trays that collects falling crumbs and food
- › High quality European refrigeration components
- › Fan forced air flow for even temperature distribution
- › **ClearView** front glass for condensation control
- › Refrigeration optimised to provide a high humidity environment that maintains food quality for longer
- › **DuraCoat** system providing a protective coating over the refrigeration coil to prevent food acid corrosion
- › **SureVap** self-evaporating system for condensate—no drain required
- › **SlimLED** under-shelf LED strip lighting with 12V safety
- › Rear sliding, double-glazed doors on friction-free, low wear tracks (doors removable for cleaning)

REAR VIEW



SIDE VIEW



DEVON: CHILLED INTEGRAL

An elegant counter top cabinet designed to maximise display area, show food with style, and maintain food at the highest quality.

4°C operating temperature

Climate class 3M1 (25°C/60%RH)

For Factory Options refer to page 60

For Cabinet Accessories refer to page 66

Model	DCI6	DCI9	DCI12	DCI15	DCI18	DCI24
Length	600mm	900mm	1200mm	1530mm	1770mm	2370mm
Depth*	640mm	640mm	640mm	640mm	640mm	640mm
Height	830mm	830mm	830mm	830mm	830mm	830mm
Available Display Area	0.68m ²	1.09m ²	1.49m ²	1.94m ²	2.2m ²	3m ²
Power Connection	10A Plug	10A Plug	10A Plug	10A Plug	10A Plug	10A Plug

**Add extra 30mm for protruding control panel, switches and cable exit*



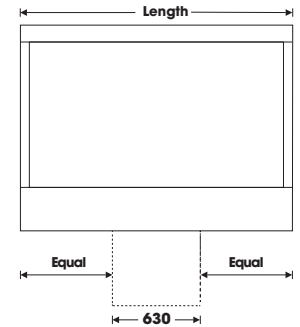
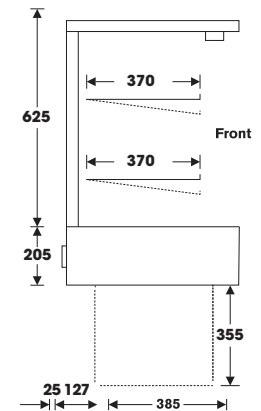
DCIO12

STANDARD FEATURES

- › Open front countertop cabinet for "grab and go"
- › Stainless steel top
- › Chrome wire shelving system that is height adjustable in 25mm increments and interchangeable between horizontal and tilted positions
- › High quality European refrigeration components
- › Designed to operate at 3 - 5°C in room environments up to 22°C with no air movement across open face
- › **DuraCoat** system providing a protective coating over the refrigeration coil to prevent food acid corrosion
- › **SureVap** self-evaporating system for condensate—no drain required
- › **SlimLED** under-shelf LED strip lighting with 12V safety
- › Rear sliding, double-glazed doors on friction-free, low wear tracks (doors removable for cleaning)

For Factory Options refer to page 60

For Cabinet Accessories refer to page 66

REAR VIEW**SIDE VIEW**

DEVON: CHILLED IMPULSE

A stylish open fronted Countertop Cabinet that simply invites the customer in.

4°C operating temperature

Model	DCIO6	DCIO9	DCIO12	DCIO15
Length	600mm	900mm	1200mm	1530mm
Depth*	640mm	640mm	640mm	640mm
Height	830mm	830mm	830mm	830mm
Available Display Area	0.61m ²	1.1m ²	1.5m ²	1.94m ²
Power Connection	10A Plug	10A Plug	10A Plug	10A Plug

***Add extra 15mm for protruding control panel and switches**

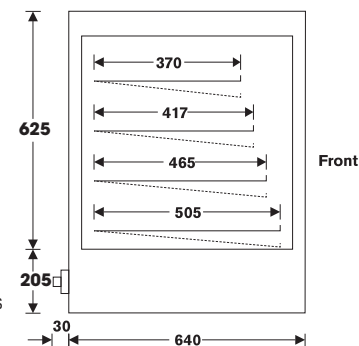


DH9

STANDARD FEATURES

- › **GlassMax** minimalist canopy (more glass/less frame) that maximises the visibility of displayed food from all angles
- › Stainless steel top
- › **SlimLED** undershelf LED strip lighting with 12v safety
- › Four shelf display levels; offering more extensive display area than comparable cabinets
- › Chrome wire shelving system that is height adjustable in 25mm increments and interchangeable between horizontal and tilted positions
- › High quality European heating and control components
- › Thermostatically controlled to operate at a temperature up to 95°C
- › Fan forced air flow for even heat distribution
- › Rapid response element for better temperature control
- › Rear sliding doors on friction-free, low wear tracks (doors removable for cleaning)

SIDE VIEW



For Factory Options refer to page 60

For Cabinet Accessories refer to page 66

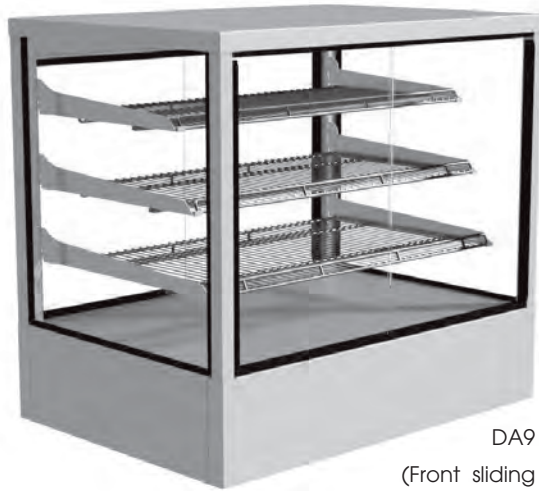
DEVON: HEATED

A stylish heated counter top cabinet that maximises display area and displays heated food at its best.

Up to 95°C operating temperature

Model	DH6	DH9	DH12	DH15
Length	600mm	900mm	1200mm	1530mm
Depth*	640mm	640mm	640mm	640mm
Height	830mm	830mm	830mm	830mm
Available Display Area	0.9m ²	1.4m ²	1.93m ²	2.5m ²
Power Connection	10A Plug	10A Plug	10A Plug	20A Plug

**Add extra 30mm for protruding control panel, switches and cable exit*

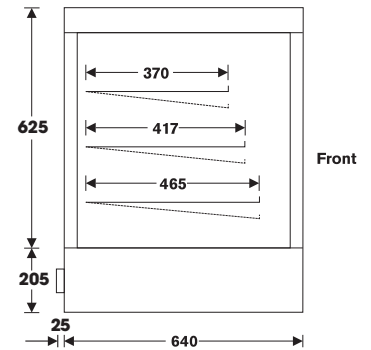


DA9
(Front sliding door option)

STANDARD FEATURES

- › **GlassMax** minimalist canopy (more glass/less frame) that maximises the visibility of displayed food from all angles
- › Stainless steel top
- › Four food display levels: three shelves plus base; offering more extensive display area than comparable cabinets
- › Chrome wire shelving system that is height adjustable in 25mm increments and interchangeable between horizontal and tilted positions
- › **SlimLED** under-shelf LED strip lighting with 12V safety
- › Top venting to allow heat dissipation
- › Rear sliding doors on friction-free, low wear tracks (doors removable for cleaning)

SIDE VIEW



For Factory Options refer to page 60

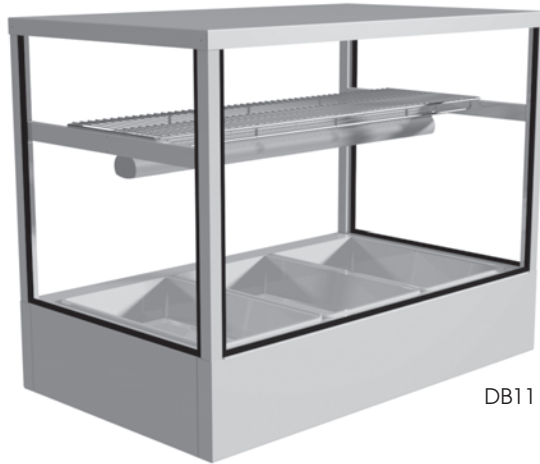
For Cabinet Accessories refer to page 66

DEVON: AMBIENT

An elegant counter-top ambient cabinet that maximises display area, shows off food and provides a consistent look across a line-up of other Devon cabinets.

Model	DA6	DA9	DA12	DA15	DA18	DA24
Length	600mm	900mm	1200mm	1530mm	1770mm	2370mm
Depth*	640mm	640mm	640mm	640mm	640mm	640mm
Height	830mm	830mm	830mm	830mm	830mm	830mm
Available Display Area	0.9m ²	1.4m ²	1.9m ²	2.5m ²	2.8m ²	3.8m ²
Power Connection	10A Plug	10A Plug	10A Plug	10A Plug	10A Plug	10A Plug

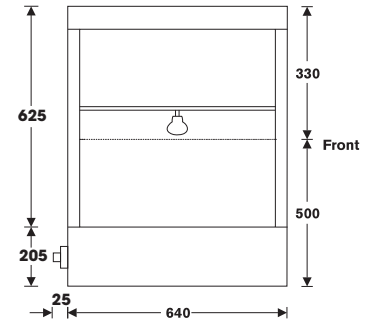
**Add extra 25mm for protruding control panel, switches and cable exit*



DB11

STANDARD FEATURES

- › **GlassMax** minimalist canopy (more glass/less frame) that maximises the visibility of displayed food from all angles
- › Stainless steel top
- › Open at rear (no doors)
- › Internal chrome wire shelf for holding plates
- › **DoubleJacket** long life halogen heat lamps mounted under shelf
- › Gastronorm pans not supplied with unit
- › Fixed front glass
- › Thermostatically controlled to operate at a temperature up to 100°C
- › Drain with faucet built in
- › Can be operated wet or dry

SIDE VIEW

For Factory Options refer to page 60

For Cabinet Accessories refer to page 66

DEVON: BAIN MARIE

An elegant looking Bain Marie cabinet that enhances the presentation of food. Looks great in any environment.

Up to 100°C operating temperature

Model	DB7	DB11	DB14	DB17	DB20
Length	745mm	1070mm	1395mm	1720mm	2045mm
Depth*	640mm	640mm	640mm	640mm	640mm
Height	830mm	830mm	830mm	830mm	830mm
No. of Gastro 1/1 Pans**	2	3	4	5	6
Power Connection	10A Plug	15A Plug	15A Plug	20A Plug	Fixed Wiring

***Add extra 30mm for protruding control panel, switches and cable exit**
****Up to 100mm deep. (Gastronorm pans not supplied)**

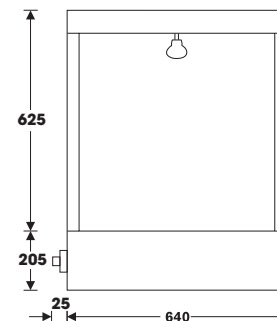


DHD14

STANDARD FEATURES

- › Minimalist canopy (more glass/less frame) that maximises the visibility of displayed food from all angles
- › Stainless steel top
- › Tempered glass deck
- › Open at rear (no doors)
- › **DoubleJacket** long life halogen heat lamps mounted under top
- › Fixed front glass
- › Thermostatically controlled to operate at a temperature up to 100°C

SIDE VIEW



For Factory Options refer to page 60

For Cabinet Accessories refer to page 66

DEVON: HOT DECK

For gourmet food presentation this hot deck cabinet provides the class the food deserves.

Up to 100°C operating temperature

Model	DHD7	DHD11	DHD14	DHD17	DHD20
Length	745mm	1070mm	1395mm	1720mm	2045mm
Depth*	640mm	640mm	640mm	640mm	640mm
Height	830mm	830mm	830mm	830mm	830mm
Hot Plate (L x D)	623 x 506mm	948 x 506mm	1273 x 506mm	1598 x 506mm	1923 x 506mm
Power Connection	10A Plug	10A Plug	10A Plug	15A Plug	15A Plug

**Add extra 30mm for protruding control panel, switches and cable exit*