



LINCOLN

1240mm height

SlimLED
under-shelf
LED strip
lighting

Flush finished
base



FrameFree
canopy

Height
adjustable
and 'tiltable'
shelving:
4 display
levels

Swivel and
lockable
castors

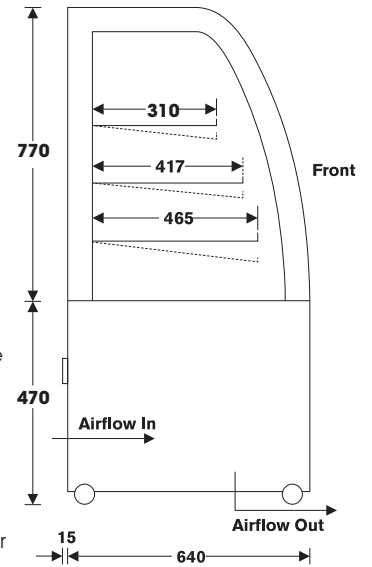


LC12

STANDARD FEATURES

- › **FrameFree** canopy that maximises fully the visibility of displayed food
- › Four food display levels: three shelves plus bottom trays
- › Chrome wire shelving system that is height adjustable in 25mm increments and interchangeable between horizontal and tilted positions
- › **CrumbCatch** feature in bottom trays that collects falling crumbs and food
- › High quality European refrigeration components
- › Fan forced air flow for even temperature distribution
- › Refrigeration optimised to provide a high humidity environment that maintains food quality for longer
- › **DuraCoat** system providing a protective coating over the refrigeration coil to prevent food acid corrosion
- › **SureVap** self-evaporating system for condensate—no drain required
- › Condenser air vented through base—no unsightly vents
- › **SlimLED** under-shelf LED strip lighting with 12V safety
- › Rear sliding, double-glazed doors on friction-free, low wear tracks (doors removable for cleaning)
- › Mounted on swivel and lockable castors allowing easy movement of cabinet

SIDE VIEW



For Factory Options refer to page 60

For Cabinet Accessories refer to page 66

LINCOLN: CHILLED

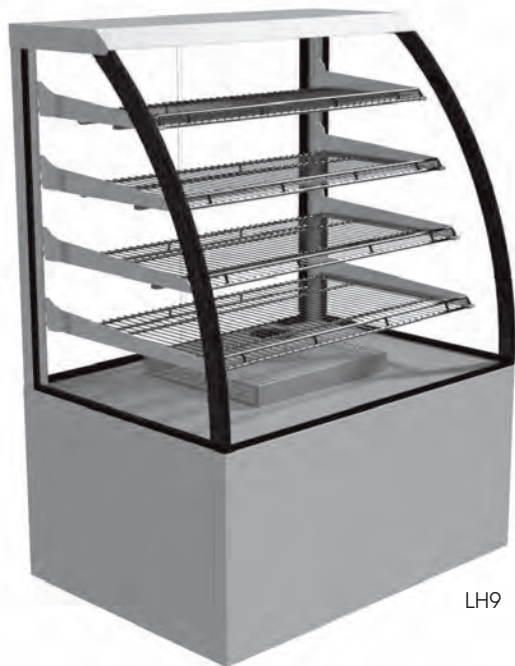
The Lincoln cabinet adds a designer look to any food service environment. The curved glass front of the elegant Lincoln cabinet gives visual impact and provides an unobstructed view of the displayed food.

4°C operating temperature

Climate class 3M1 (25°C/60%RH)

Model	LC6	LC9	LC12	LC15	LC18	LC24
Length	600mm	900mm	1200mm	1530mm	1770mm	2370mm
Depth*	640mm	640mm	640mm	640mm	640mm	640mm
Height	1240mm	1240mm	1240mm	1240mm	1240mm	1240mm
Available Display Area	0.84m ²	1.34m ²	1.83m ²	2.4m ²	2.7m ²	3.7m ²
Power Connection	10A Plug	10A Plug	10A Plug	10A Plug	10A Plug	10A Plug

**Add extra 15mm for protruding control panel and switches*



LH9

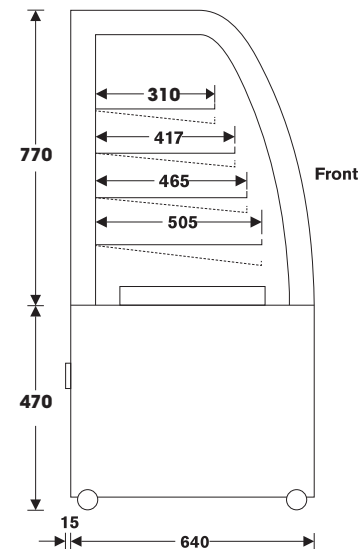
STANDARD FEATURES

- › **FrameFree** canopy that maximises fully the visibility of displayed food
- › Four shelf levels
- › Chrome wire shelving system that is height adjustable in 25mm increments and interchangeable between horizontal and tilted positions
- › High quality European heating and control components
- › Thermostatically controlled to operate at a temperature between 30 - 95°C
- › Fan forced air flow for even heat distribution
- › Rapid response element for better temperature control
- › **SlimLED** under-shelf LED strip lighting with 12V safety
- › Rear sliding doors on friction-free, low wear tracks (doors removable for cleaning)
- › Mounted on swivel and lockable castors allowing easy movement of cabinet

For Factory Options refer to page 60

For Cabinet Accessories refer to page 66

SIDE VIEW



LINCOLN: HEATED

This designer cabinet allows great viewing of heated food offerings, simply drawing the customer in to encourage food purchase.

Up to 95°C operating temperature

Model	LH6	LH9	LH12	LH15
Length	600mm	900mm	1200mm	1530mm
Depth*	640mm	640mm	640mm	640mm
Height	1240mm	1240mm	1240mm	1240mm
Available Display Area	0.85m ²	1.4m ²	1.9m ²	2.4m ²
Power Connection	10A Plug	10A Plug	10A Plug	20A Plug

**Add extra 15mm for protruding control panel and switches*



LA9

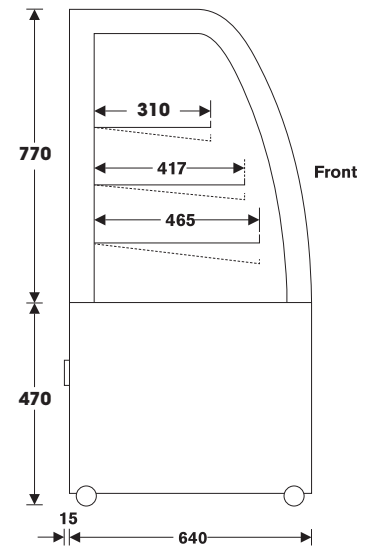
STANDARD FEATURES

- › **FrameFree** canopy that maximises fully the visibility of displayed food
- › Four food display levels: three shelves plus base
- › Chrome wire shelving system that is height adjustable in 25mm increments and interchangeable between horizontal and tilted positions
- › **SlimLED** under-shelf LED strip lighting with 12V safety
- › Top venting to allow heat dissipation
- › Rear sliding doors on friction-free, low wear tracks (doors removable for cleaning)
- › Mounted on swivel and lockable castors allowing easy movement of cabinet

For Factory Options refer to page 60

For Cabinet Accessories refer to page 66

SIDE VIEW



LINCOLN: AMBIENT

This cabinet offers class to any ambient food offering. With its minimalist and stylish look, product stands out and tempts the customer.

Model	LA6	LA9	LA12	LA15	LA18	LA24
Length	600mm	900mm	1200mm	1530mm	1770mm	2370mm
Depth*	640mm	640mm	640mm	640mm	640mm	640mm
Height	1240mm	1240mm	1240mm	1240mm	1240mm	1240mm
Available Display Area	0.84m ²	1.34m ²	1.83m ²	2.4m ²	2.7m ²	3.7m ²
Power Connection	10A Plug	10A Plug	10A Plug	10A Plug	10A Plug	10A Plug

**Add extra 15mm for protruding control panel and switches*