

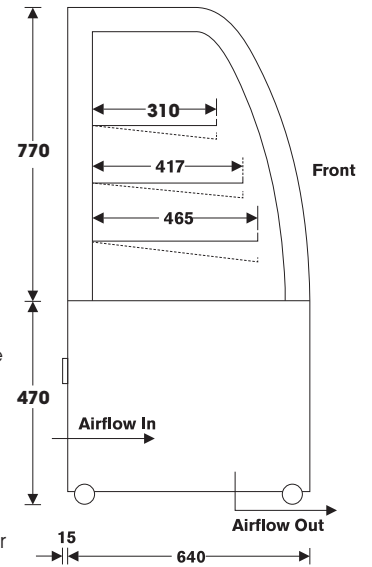


LC12

STANDARD FEATURES

- › **FrameFree** canopy that maximises fully the visibility of displayed food
- › Four food display levels: three shelves plus bottom trays
- › Chrome wire shelving system that is height adjustable in 25mm increments and interchangeable between horizontal and tilted positions
- › **CrumbCatch** feature in bottom trays that collects falling crumbs and food
- › High quality European refrigeration components
- › Fan forced air flow for even temperature distribution
- › Refrigeration optimised to provide a high humidity environment that maintains food quality for longer
- › **DuraCoat** system providing a protective coating over the refrigeration coil to prevent food acid corrosion
- › **SureVap** self-evaporating system for condensate—no drain required
- › Condenser air vented through base—no unsightly vents
- › **SlimLED** under-shelf LED strip lighting with 12V safety
- › Rear sliding, double-glazed doors on friction-free, low wear tracks (doors removable for cleaning)
- › Mounted on swivel and lockable castors allowing easy movement of cabinet

SIDE VIEW



For Factory Options refer to page 60

For Cabinet Accessories refer to page 66

LINCOLN: CHILLED

The Lincoln cabinet adds a designer look to any food service environment. The curved glass front of the elegant Lincoln cabinet gives visual impact and provides an unobstructed view of the displayed food.

4°C operating temperature

Climate class 3M1 (25°C/60%RH)

Model	LC6	LC9	LC12	LC15	LC18	LC24
Length	600mm	900mm	1200mm	1530mm	1770mm	2370mm
Depth*	640mm	640mm	640mm	640mm	640mm	640mm
Height	1240mm	1240mm	1240mm	1240mm	1240mm	1240mm
Available Display Area	0.84m ²	1.34m ²	1.83m ²	2.4m ²	2.7m ²	3.7m ²
Power Connection	10A Plug	10A Plug	10A Plug	10A Plug	10A Plug	10A Plug

**Add extra 15mm for protruding control panel and switches*